

Lembar data produk

Spesifikasi



Easergy P3U20, 4L ringlug, 1U,
10DI/5DO, Uaux: 48-230V, DI:
24-230V, 2 x LC

REL52036

Main

Range of product	Easergy P3
Product or component type	Protection relay
Relay application	Universal
Product reference	P3U20-6AAA1ADAA
Power supply	48...230 V AC/DC
Measuring inputs	: 1/5 A CT phase current 3 : 1/5 A CT residual current 1 : 100 V/110 V VT voltage 1
Number of sensors	0 temperature sensor(s) 0 arc sensor(s)
Number of Digital Inputs (DI)	10
Number of Digital Outputs (DO)	1 watchdog 5
Number of analogue inputs	0
Number of analogue outputs	0
Communication ports	USB port 1 front LC 2 rear
Communication protocols	IEC 61850 ed. 1 IEC 61850 ed. 2 IEC 60870-5-101 DNP3 TCP Modbus TCP EtherNet/IP
Redundancy communication port protocol	RSTP PRP
Cybersecurity	Port hardening Password protection
Protection functions	Phase undercurrent 37 Negative sequence overcurrent 46 Broken conductor 46 I2/I1 Excessive starting time, locked rotor 48/51LR Thermal overload protection 49 Phase overcurrent 50/51 Earth fault overcurrent 50N/51N Breaker failure 50BF Switch ON to fault (SOTF) Capacitor bank unbalance 51C Capacitor overvoltage 59C Neutral voltage displacement 59N Motor restart inhibition 66 Directional earth fault 67N Transient earth fault 67NI CT supervision 60 VT supervision 60 H2 detection 68H2

H5 detection 68H5
 Recloser 79
 Lockout relay 86
 Cold load pick-up
 Programmable stages 99
 Programmable curve

Arc flash protection	No
Measurement functions	Current 3-phase Current zero sequence Current positive sequence Current negative sequence Current ratio of negative and positive Voltage phase to earth Voltage phase to phase Voltage zero sequence Voltage positive sequence Voltage negative sequence Voltage ratio of negative and positive Short circuit fault reactance Fault location current Earth fault reactance Frequency Active power RMS active power Reactive power RMS reactive power Apparent power RMS apparent power Active energy Reactive energy Cos ϕ Tan ϕ Power angle Power factor Voltage phasor diagram view Current phasor diagram view Current 2nd, 15th harmonics with THD Voltage 2nd, 15th harmonics with THD Voltage interruption Condition monitoring CB wear
Control functions	Switchgear control and monitoring Programmable switchgear interlocking Local control on single-line diagram Local control with I/O keys Local/remote control 2 function keys Mobile application with Easergy SmartApp Web-server Programmable logic
Controllable switchgear devices	2 controlled + 4 displayed
Number of setting groups	4
Monitoring functions	Trip circuit supervision 74 Circuit breaker monitoring Relay self-monitoring
Logs and records	Event recording Disturbance recording Tripping context
Switchgear diagnosis type	CT supervision Trip circuit supervision ANSI code: TCS
Connections - terminals	Screw removable (digital input/output) Ring lugs removable (current transformer) Pin removable (voltage transformer)
Complementary	
Operating threshold	24...230 V AC/DC
Web server	Embedded HTTP server
Software name	EcoStruxure Power Device ESetup Easergy Pro
Display type	and LCD 128 x 64 pixels with single line diagram
Number of key	2 customizable
Local signalling	4 LEDs 8 LEDs programmable
Standards	IEC

Height	169.5 mm
Width	170 mm
Depth	205 mm
Net weight	2.5 kg maximum

Environment

Electromagnetic compatibility	Emission tests conforming to IEC/EN 60255-26 ed. 3 Emission tests class A conforming to CISPR 11 Emission tests class A conforming to CISPR 22 EMC immunity conforming to IEC/EN 60255-26 ed. 3 EMC immunity conforming to EN/IEC 61000-4-18 EMC immunity level 4 conforming to EN/IEC 61000-4-2 EMC immunity level 3 conforming to EN/IEC 61000-4-3 EMC immunity level 4 conforming to EN/IEC 61000-4-4 EMC immunity level 3 conforming to EN/IEC 61000-4-5 EMC immunity level 3 conforming to EN/IEC 61000-4-6 EMC immunity conforming to EN/IEC 61000-4-8 EMC immunity level 5 conforming to EN/IEC 61000-4-9 EMC immunity conforming to EN/IEC 61000-4-29 EMC immunity conforming to EN/IEC 61000-4-11 EMC immunity conforming to EN/IEC 61000-4-17
Mechanical robustness	Vibrations (level: class II) conforming to IEC 60255-21-1 Vibrations: Fc conforming to IEC 60068-2-6 Shocks (level: class II) conforming to IEC 60255-21-2 Shocks: Ea conforming to IEC 60068-2-27 Seismic tests method A (level: class II) conforming to IEC 60255-21-3 Bumps (level: class II) conforming to IEC 60255-21-2 Bumps: Ea conforming to IEC 60068-2-27
Climatic withstand	Exposure to dry heat Bb tests conforming to EN/IEC 60068-2-2 Exposure to cold Ad tests conforming to EN/IEC 60068-2-1 Exposure to damp heat in service Db tests conforming to EN/IEC 60068-2-30 Exposure to damp heat in service Cab tests conforming to EN/IEC 60068-2-78
Ambient air temperature for operation	-40...65 °C
Ambient air temperature for storage	-40...70 °C
IP degree of protection	IP54 conforming to IEC 60529
Relative humidity	0...95 %, without condensation
Maximum operating altitude	2000 m
Protective treatment	Conformal coating

Packing Units

Unit Type of Package 1	PCE
Number of Units in Package 1	1
Package 1 Height	16 cm
Package 1 Width	21.5 cm
Package 1 Length	27.5 cm
Package 1 Weight	3.5 kg

Offer Sustainability

Sustainable offer status	Green Premium product
REACH Regulation	REACH Declaration
EU RoHS Directive	Pro-active compliance (Product out of EU RoHS legal scope) EU RoHS Declaration
Mercury free	Yes
China RoHS Regulation	China RoHS declaration
RoHS exemption information	Yes
Environmental Disclosure	Product Environmental Profile

WEEE

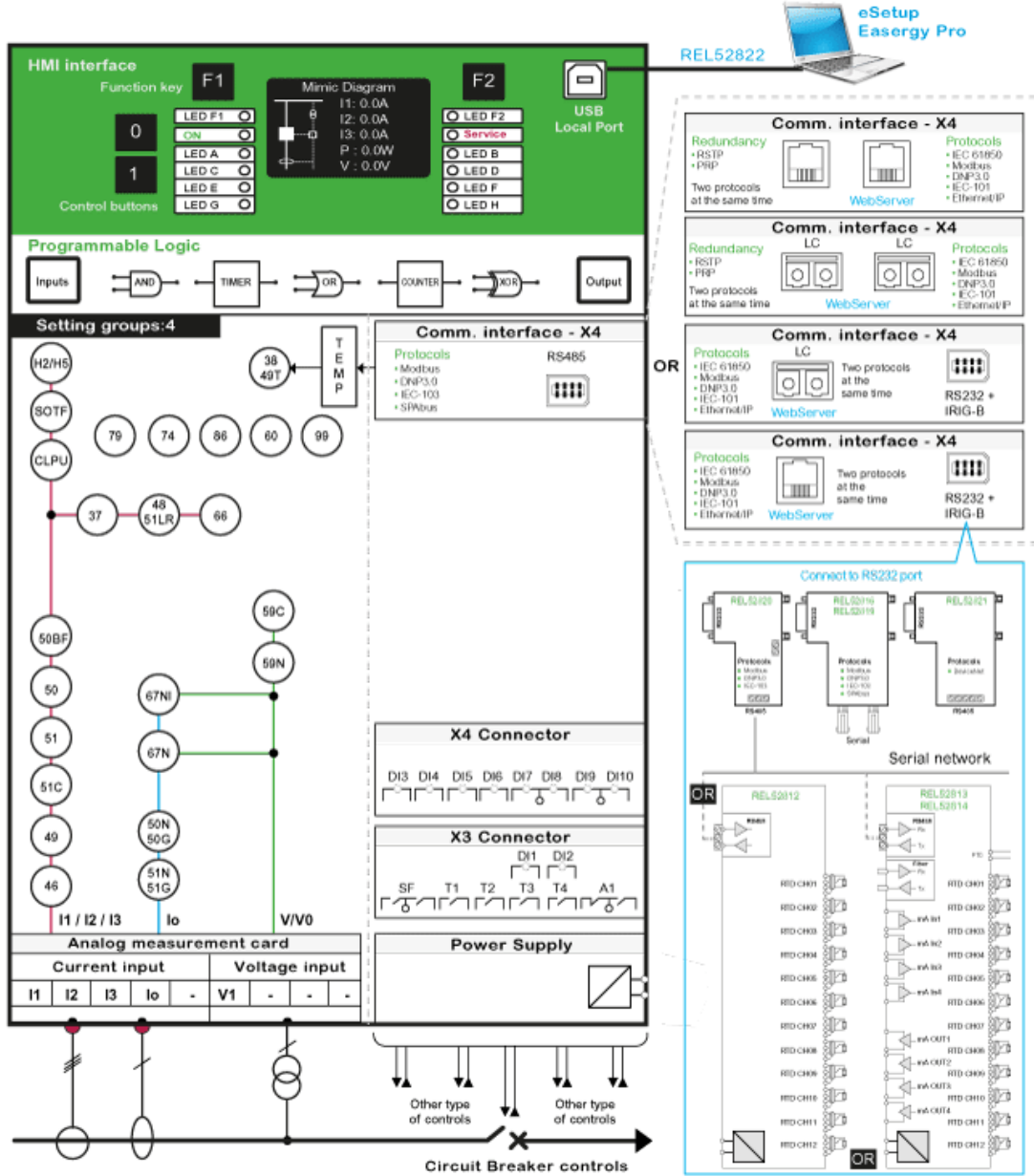
The product must be disposed on European Union markets following specific waste collection and never end up in rubbish bins

Contractual warranty

Warranty

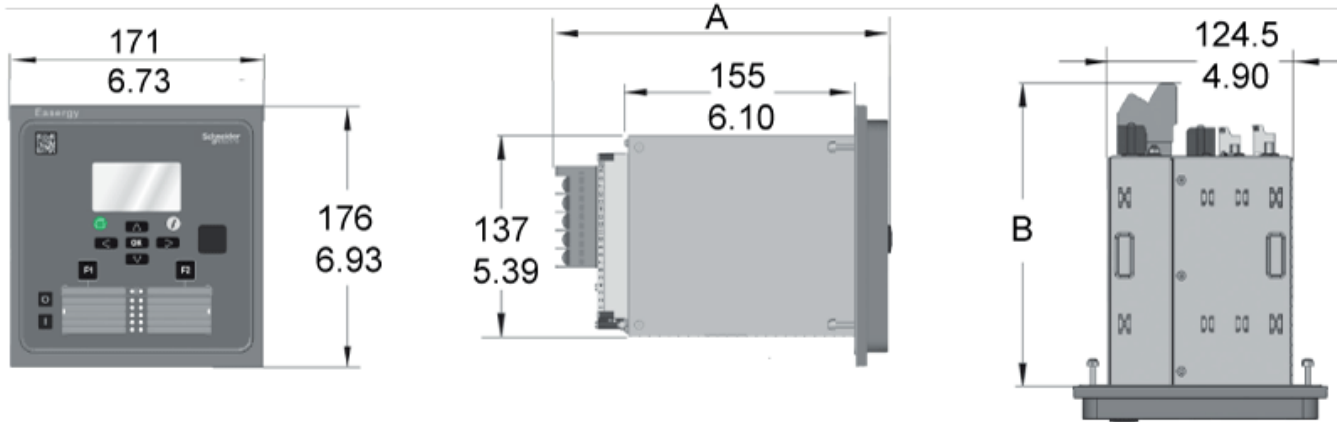
Up to 10 years extended warranty (Standard warranty 2 years. Please check with your local SE representative for extended warranty availability and conditions)

Functional View



Base Unit Dimensions

mm
in.



	A	B
With screw connector	214 mm/8.43"	192 mm/7.6"
With ring-lug connector	226 mm/8.90"	204 mm/8.0"

Penggantian yang disarankan