

PERFORMANCE PRO SERIES HP2B2



2MP Network Bullet IR Camera



OPERATIONAL

Video Standard	PAL/NTSC
Image Sensor	1/2.8" CMOS
Number Of Pixels (H x V)	1920(H) x 1080(V)
Minimum Illumination	0.0035 lux@F1.2, AGC ON 0 lux with IR ON
S/N Ratio	> 50 dB
Electronic Shutter Speed	1s ~ 1/100,000s
IR Distance	Up to 30 - 50 m, depending on scene reflectance
Day/Night	Auto(ICR)/Day/Night/Timing
Backlight Compensation	BLC, HLC
White Balance	Auto/Indoor/Outdoor/Manual
Wide Dynamic Range	Digital WDR
Noise Reduction	3D DNR
Privacy Masking	Off / On (4 Areas)
Motion Detection	Support
Region Of Interest	Support (3)
Lens	2.8mm~12mm, manual varifocal
Angle Of View	H: 88°~34.8°, V: 57°~20°
Audio	1 In

VIDEO

Video Compression	H.265 / H.264
Resolution	1080P(1920x1080), 720P(1280x720), D1(704x576), CIF(352x288), 480x240
Frame Rate	Main stream: 1080P/720P (1~25/30fps) Sub stream: D1/CIF (1~25/30fps) Third stream: D1/CIF/480x240 (1~25/30fps)
Bit Rate Control	CBR / VBR
Bit Rate	64 Kbps ~ 6 Mbps

NETWORK

Ethernet	10/100 Base-T Ethernet (RJ-45)
Supported Web Browsers	Internet Explorer 11.0+
Supported OS	Microsoft Windows 7/10
Interoperability	ONVIF Profile S, G
Protocols*	IPv4, IPv6, TCP/IP, HTTP, HTTPS, UPnP, RTSP, IGMP, SMTP, DHCP, NTP, DNS, DDNS, QoS, 802.1X, UDP, ICMP, ARP, TLS
Maximum Users Access	3 Users
Security	User account and password protection, HTTPS, IP Filter, TLS1.2, AES-128
Micro SD	Micro SD/SDHC/SDXC card slot (128GB)

ELECTRICAL

Power Supply	DC12V, PoE (IEEE 802.3af) (Class 3)
Power Consumption	Max 7W

MECHANICAL

Dimensions	218mm x 80.5mm x 80.5mm
Product Weight	0.65kg
Material	Metal housing with coating

ENVIRONMENTAL

Operating Temperature	-30°C ~ 60°C (-22°F ~ 140°F)
Relative Humidity	Less than 95%, non-condensing
Ingress Protection	IP67

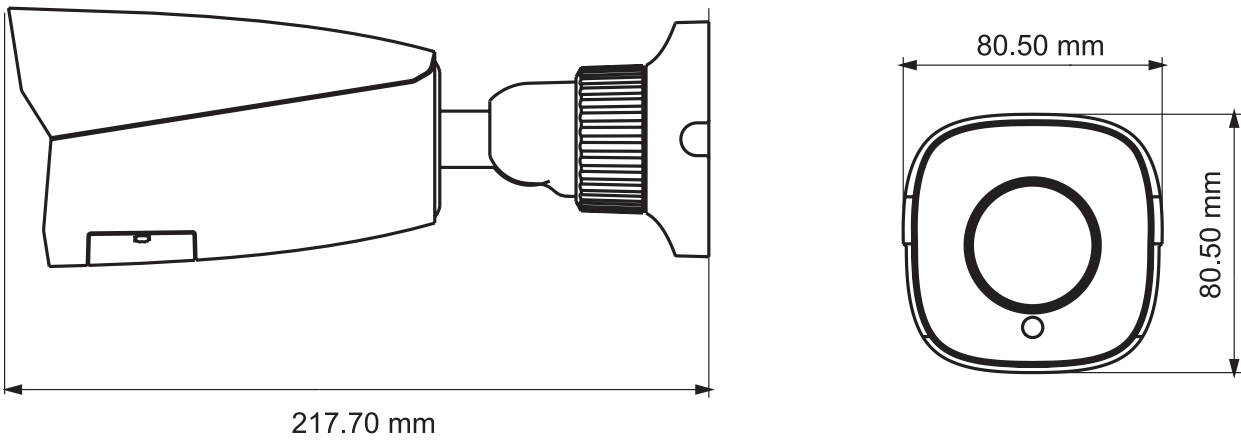
REGULATORY

Certification	CE, FCC, RoHS
---------------	---------------

*Some development may be required in specific user cases to support some of these protocols in the field as they mature over time.

PERFORMANCE PRO SERIES HP2B2

DIMENSIONS



ORDERING

PART CODE NO	DESCRIPTION
HP2B2	2MP Network Bullet IR Camera, TDN, 1/2.8" CMOS, 2.8mm~12mm manual varifocal, H.265, PoE, IP67

For more information

Email: buildings.asean@honeywell.com

Malaysia (ASEAN Headquarters)

Honeywell International Sdn. Bhd. Level
25, UOA Corp Tower B, Avenue 10 The
Vertical, Bangsar South City, 59200,
Kuala Lumpur, Malaysia